

IMF-104X

Made in ITALY

- 10.4" Industrial Panel Monitor (4:3)
- Customizable front panel:
 - "Aluminum True Flat" (Standard)
 - "Aluminum w/ USB Front"
 - "AISI 316 True Flat [INOX]"
- Touch or w/o -Touch version
 - with USB or RS232 driver interface connection
- Two Power options available:
 - 18 ~ 36V, VDC or 80 ~ 265V, VAC
- Fast mounting with clamps



DISPLAY

Size:	10.4"
Resolution:	SVGA (800x600)
Aspect Ratio:	4:3
Backlight:	Led
Bright and Contrast:	400 cd/mq 700:1
Colors:	256K
View Angle:	160° - 140°

FRONT PANEL

Thickness:	6 mm
Connection:	1x USB 2.0 (Optional)
Graphic:	Graphically customizable polyester Only w/ "Aluminum w/ USB Front"
Front Panel Type:	"Aluminum True Flat" (Standard) "Aluminum w/ USB Front" "AISI 316 True Flat [INOX]"

TOUCH SCREEN

Glass Thickness:	2 mm
Technology:	Projective Capacitive Multitouch 10 points (Optional with "True Flat") Resistive 5 wires
Connection Type:	USB 2.0 or RS232

I/O INTERFACE

Video Input:	1x DVI-I 1x VGA (D_SUB 15pin)
USB ports:	1x USB 2.0 for front panel USB Connections (Optional with "Aluminum w/ USB Front" version) 1x USB 2.0 or RS232 for Touch Driver (Only with Touch Version)

POWER

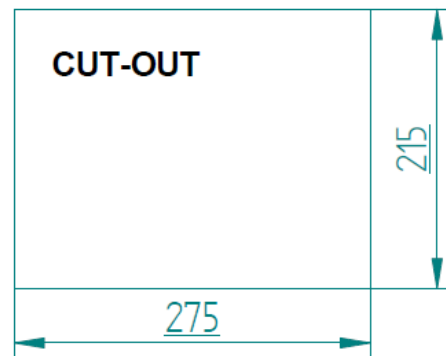
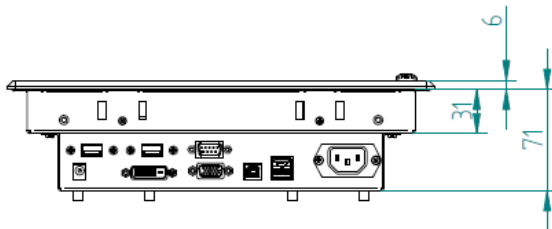
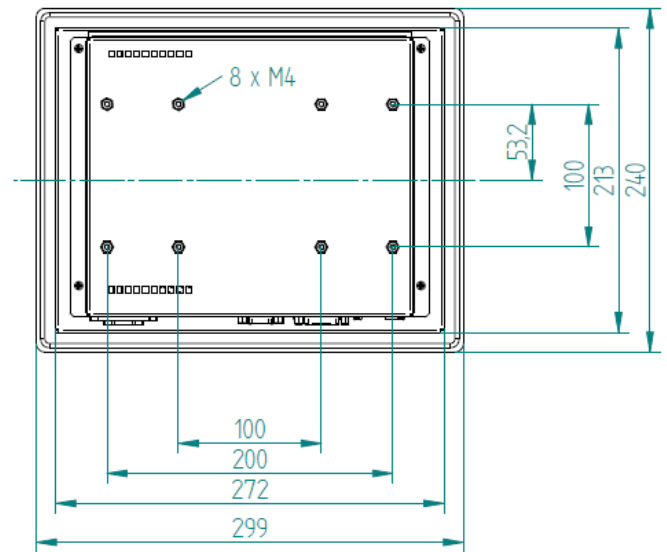
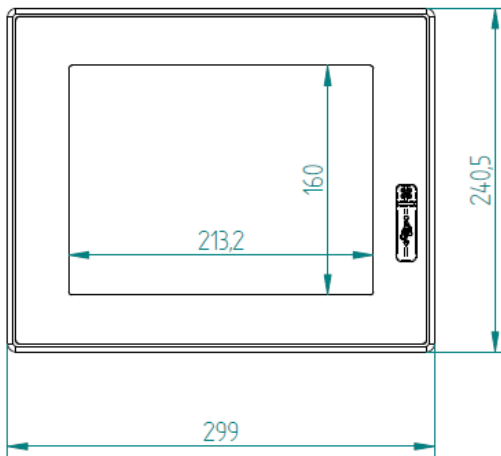
Power in:	18 ~ 36V, DC Version 80 ~ 265V, AC Version
Max Power :	12W max

MECHANICAL

Material:	Aluminum (w/ custom front panel)
IP Protection:	IP65 on front side
Dimensions:	(W)299x(D)240,5x(H)77mm
Weight:	2,5 Kg
Mounting:	Fast mounting with clamps

ENVIRONMENT

Operating temp.:	0°C ~ 50°C
Storage temp.:	-20°C ~ 70°C
Humidity:	40% ~ 60% Humidity, non-condensing
EMC:	CE, FCC, RoHS, LVD



ACCESSORIES INCLUDED:

- 1x Power Cable
- Fast clamp Mounting kit
- 1x VGA Cable + 1x DVI-I Cable
- 2x USB 2.0 Cable

ORDER CODE:

Contact your sales representative for configuration.